

SCHEDA TECNICA TECHNICAL SHEET		Date: 10/04/2017	Rev/0
--	--	------------------	-------

Codice / Code: INI006	Descrizione / description: Soffione Twiggy autopulente 400x250 mm con snodo 1/2" F Twiggy shower head 400x250 mm with 1/2" F swivel ball - Easy-Clean
--	--

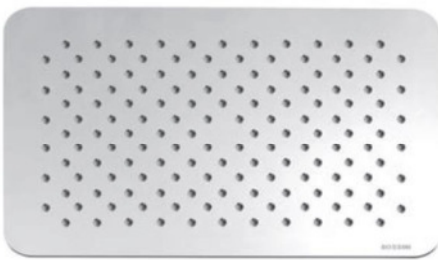
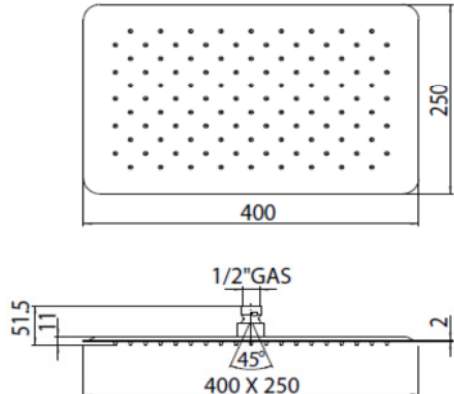
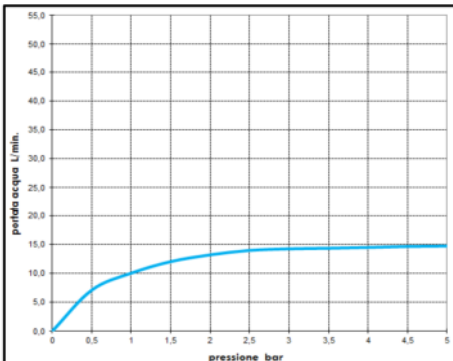
Foto / image 	Disegni / drawings 
--	---

Grafico di portata / Flow rate diagram																											
<table border="1"> <thead> <tr> <th></th> <th>PIOGGIA</th> </tr> </thead> <tbody> <tr><td>0</td><td>0,0</td></tr> <tr><td>0,5</td><td>7,1</td></tr> <tr><td>1</td><td>10,0</td></tr> <tr><td>1,5</td><td>12,0</td></tr> <tr><td>2</td><td>13,2</td></tr> <tr><td>2,5</td><td>14,0</td></tr> <tr><td>3</td><td>14,2</td></tr> <tr><td>3,5</td><td>14,3</td></tr> <tr><td>4</td><td>14,5</td></tr> <tr><td>4,5</td><td>14,6</td></tr> <tr><td>5</td><td>14,7</td></tr> <tr> <td>pressione bar</td> <td>portata L/min</td> </tr> </tbody> </table>		PIOGGIA	0	0,0	0,5	7,1	1	10,0	1,5	12,0	2	13,2	2,5	14,0	3	14,2	3,5	14,3	4	14,5	4,5	14,6	5	14,7	pressione bar	portata L/min	<div style="border: 2px solid red; padding: 10px; text-align: center; color: red;"> <p>Portata minima consigliata per un buon funzionamento:</p> <p>Min flow rate: 12 L/MIN</p> </div> 
	PIOGGIA																										
0	0,0																										
0,5	7,1																										
1	10,0																										
1,5	12,0																										
2	13,2																										
2,5	14,0																										
3	14,2																										
3,5	14,3																										
4	14,5																										
4,5	14,6																										
5	14,7																										
pressione bar	portata L/min																										

MATERIALI / materials
Stainless steel, rubber.

CARATTERISTICHE IDRAULICHE / hydraulic features			
	pressione pressure	portata flow rate	temperatura temperature
min	1 bar	--	--
max	5 bar	--	<70°C
consigliata recommended	2-3 bar	12 L/min	<42°C
<i>solo per miscelatori termostatici</i> <i>only for thermostatic mixers</i>			
Blocco di sicurezza safety lock		/	
Temperatura acqua fredda cold water temperature		/	
Temperatura acqua calda hot water temperature		/	

CERTIFICAZIONI / CERTIFICATIONS:

CONFORMITA' / CONFORMITY : EN 1112; Chrome plating - EN 248.
--