

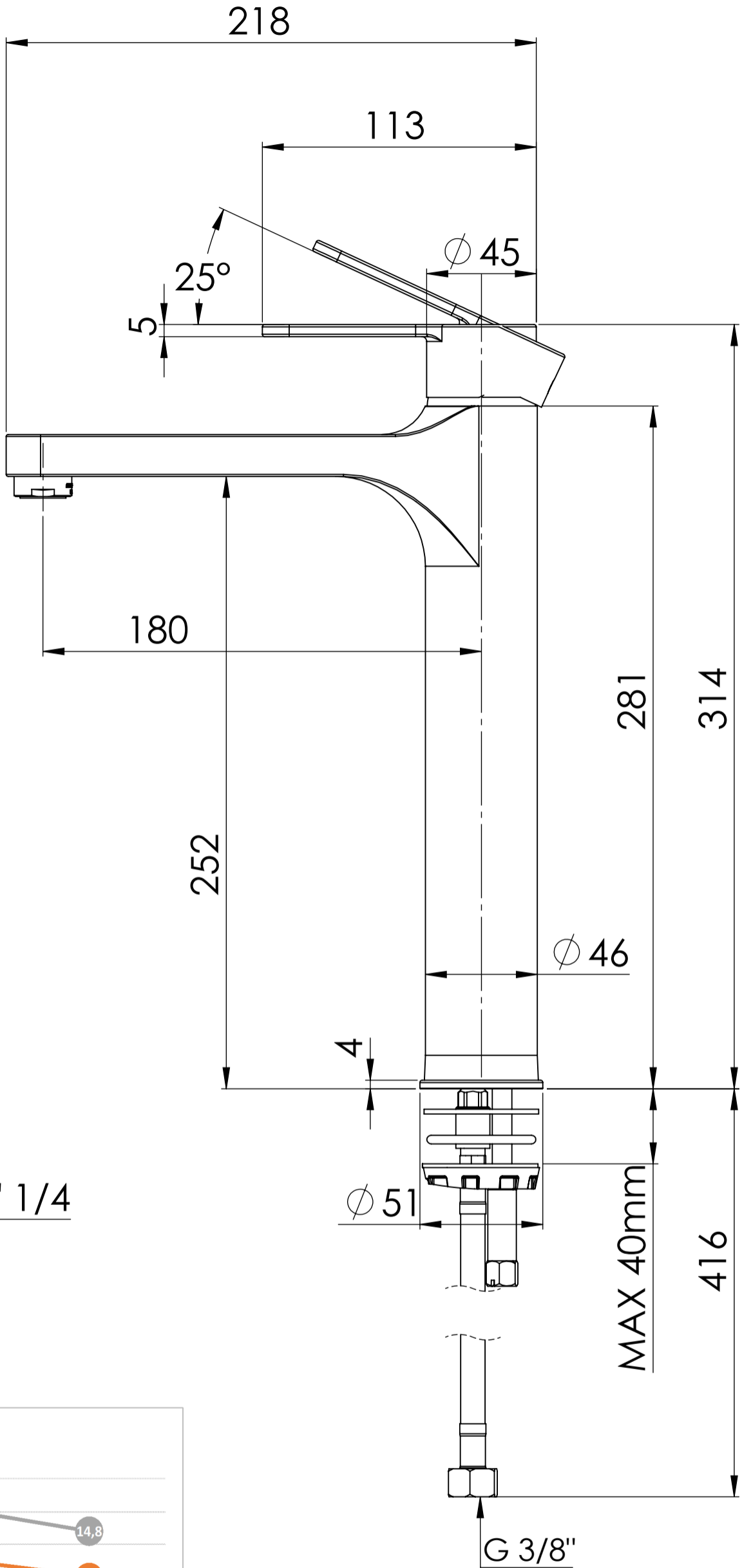
| Num. articolo | cod. REMER | cod. DANIEL |
|---------------|--------------|--------------|
| 1 | L10INS | OM605INST |
| 2 | OR2670178 | OR2670178 |
| 3 | GR420P | GR4X20P |
| 4 | R50 | A820 |
| 5 | GH42L | GH42L |
| 6 | CAL10 | CROM605CAP |
| 7 | 114PRS10L | 18607XTUB |
| 8 | MASR45 | SR63045 |
| 9 | TAMAD | TAMAD |
| 10 | 83A | A803CR |
| 11 | BAL10Z | BAL10Z |
| 12 | FISA10 | FISDV605 |
| 13 | 10838F40DVGW | A9704010DVGW |
| 14 | 905CO | A735COCR |
| 15 | 905PI | A735PI |
| 16 | 905TA | A735TA |

Cod. :

93 066 76 - 93 161 27

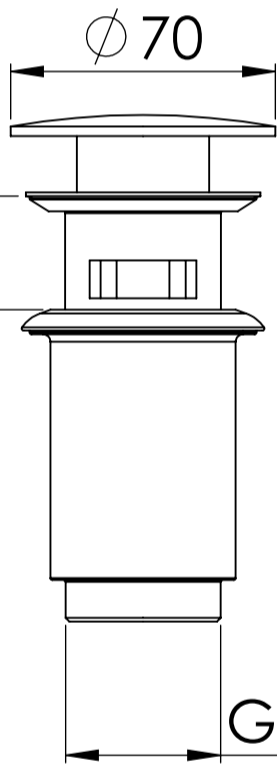
Apice

A

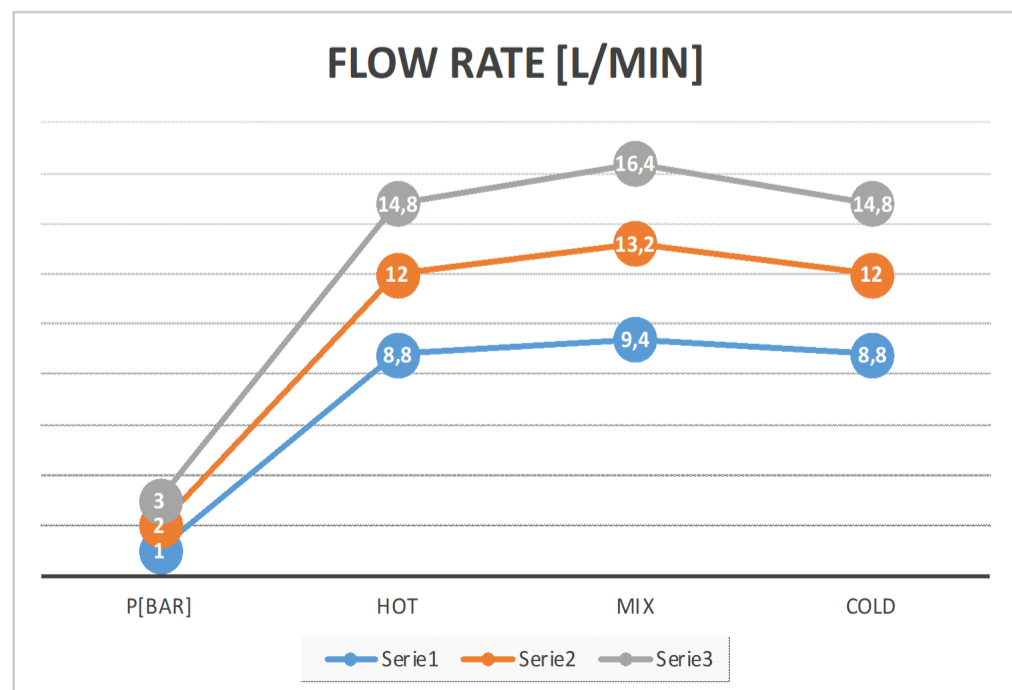


Min-30mm
Max-45mm

CLICK CLACK
SYSTEM



G 1" 1/4



G 3/8"

Cod. :
93 066 76 - 93 161 27

Apice
A