

Rotary actuator for mixing valves

- Torque 2 Nm
- Breakaway 3 Nm
- Nominal voltage AC 230 V
- Control: Open-close or 3-point



Technical data

Electrical data	Nominal voltage	AC 230 V, 50 Hz
	Power supply range	AC 207 ... 253 V
	Power consumption	In operation 1 W @ nominal torque For wire sizing 1 VA
	Connection	Cable 1 m, 3 x 0.75 mm ²
	Parallel operation	No
Functional data	Torque (Nominal torque)	Min. 2 Nm @ nominal voltage
	Breakaway	3 Nm
	Manual override	Temporary gearing latch
	Running time	105 s / 90°↔
	Sound power level	Max. 35 dB (A)
	Position indication	Mechanical
Safety	Protection class	II Totally insulated ☐
	Degree of protection	IP40
	EMC	CE according to 2004/108/EC
	Low-voltage directive	CE according to 2006/95/EC
	Mode of operation	Type 1 (EN 60730-1)
	Rated impulse voltage	4 kV (EN 60730-1)
	Control pollution degree	3 (EN 60730-1)
	Ambient temperature	-7 ... +50°C
	Medium temperature	+5 ... +100°C (in the mixing valve)
	Non-operating temperature	-40 ... +80°C
Ambient humidity	95% r.h., non-condensating (EN 60730-1)	
Maintenance	Maintenance-free	
Dimensions / Weight	Dimensions	See «Dimensions» on page 2
	Weight	ca. 400 g (without mixing valve)

Safety notes



- The actuator has been designed for use in stationary heating, ventilation and air conditioning systems and is not allowed to be used outside the specified field of application, especially in aircraft or in any other airborne means of transport.
- **Caution: Power supply voltage!**
- It may only be installed by suitably trained personnel. Any legal regulations or regulations issued by authorities must be observed during installation.
- The actuator is to be protected against moisture. It is not suitable for outdoor applications.
- The correct functioning of the strain relief for the cable is to be checked in the actuator housing.
- The installer must check for correct principle of operation after installation.
- The device may only be opened at the manufacturer's site. It does not contain any parts that can be replaced or repaired by the user.
- The device contains electrical and electronic components and is not allowed to be disposed of as household refuse. All locally valid regulations and requirements must be observed.

Product features

- Manual override** Manual operation with lever possible (the gearing is disengaged for as long as the self-resetting lever is pressed).
- Functional safety** Once the end stops are reached, the actuator is automatically switched off.
Pulse duration ≥ 0.5 s

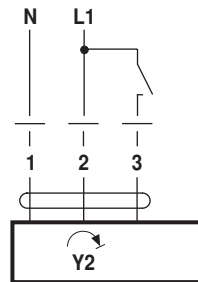
Electrical installation

Wiring diagrams

Note
Caution: Power supply voltage!

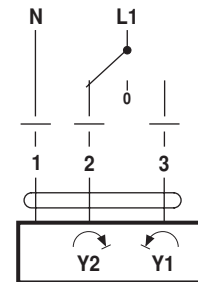


Open-close control



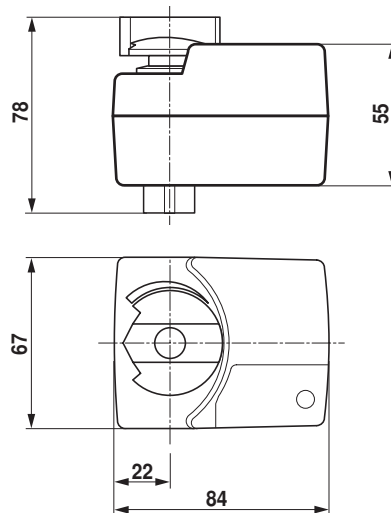
Actuator	Valve
Y2	A - AB = 0%

3-point control



Dimensions [mm]

Dimensional drawings



General information

- Continuous pulsating into the end stop with pulsating 3-point control results in damage to the actuator. Steps must be taken to ensure that pulsating 3-point controllers stop in the end position.
- The actuator switches off for seven seconds in the case of blocking, then attempts to restart. If the blocked condition persists, the actuator attempts to restart once every two minutes a total of 15 times and subsequently once every two hours.
- Actuators for 3-point control in parallel operation must be synchronised once every week (by setting the controller signal to 0 or 100%) in order to guarantee uni-rotation.
- Pulse duration ≥ 0.5 s