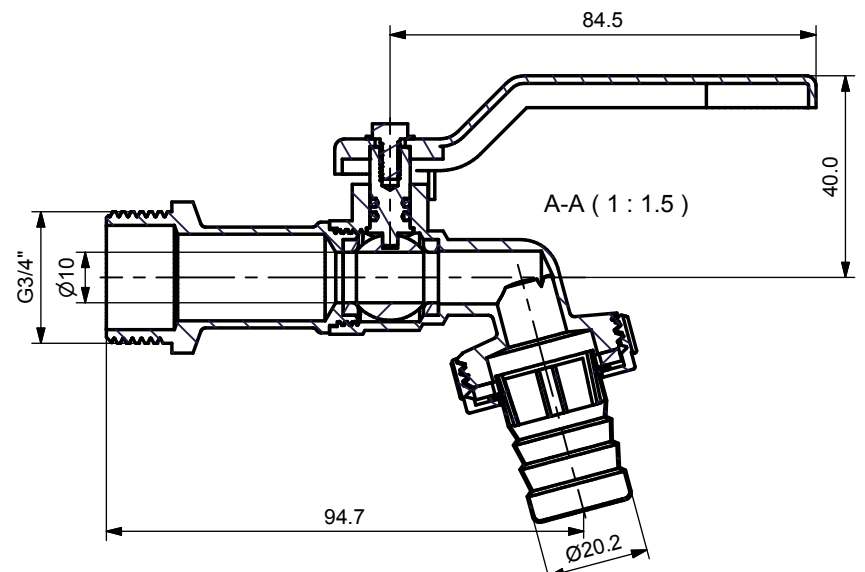
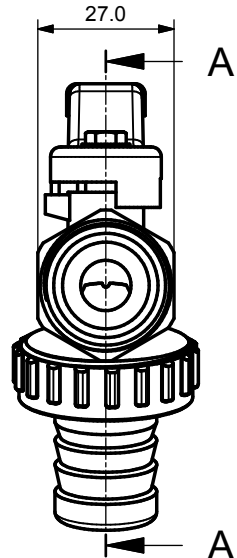


-20°C bis 120°C PN20

BOM						
NO.	P/N	Name	Pcs	Weight	Material	Note
1	89 000 03 Body	G1" Body	1	81.3 g	CW617N	
2	15x10x3 MFZ	15x10x3 seat	2	0.6 g	PTFE	
3	Stem 8x1.6	Stem	1	6.1 g	CW617N	
4	8x1.6 Oring	8x1.6 Oring	2	0.0 g	EPDM	
5	20x12x3Ball	20x12x3 Ball	1	10.9 g	CW617N	
6	89 000 03 Bonnet	G3/4" Bonnet	1	60.9 g	CW617N	
7	Handle	3/8;1/2;3/4 Handle	1	31.4 g	Q235	red
8	M4xH8 screw	M4x8 screw	1	1.6 g	Q235	
9	89 000 03 CHECHIA	G1" CHECHIA	1	20.9 g	CW617N	
10	89 000 03 Pipe	3/4" Pipe	1	5.8 g	CW617N	
11	30x22x2.5 Gasket	30x22x2.5 Gasket	1	0.8 g	EPDM	
12	20mm Divertor	20mm Divertor	1	1.2 g	PC	



DRAW.:
CHK.:
APVD.:

Material: CW617N		Engineering Spec.:	Scale:
Date:	Design State:	Finish:	

NOTICE: These drawing and specifications are the property of HongJia Vale and may not be reproduced, copied or used without written permission.

0-6 = ±0.1
6-30 = ±0.2
30-120 = ±0.3
120-400 = ±0.5

IPG GmbH

Description: Auslauf-Kugelhahn 3/4	
Part No: 89 000 03	Sheet 1 / 1